

lagoon[®] Advanced Care

WH6-27LAC and TD6-30LAC

The ideal replacement for any dry-cleaning operation



Features and benefits

**Keep customers coming back**

Outstanding results for garments of every type thanks to specialized detergents and dedicated programs

**Delicate on the delicates**

Gentle on fine textiles and wools labelled dry-clean only, as less mechanical action. Woolmark-approved

**Rapid return on investment**

With a better loading factor, less prespotting, easier finishing and faster process times

**Sustainable and eco-friendly**

Water-based cleaning with none of the disadvantages of PERC, which can be dangerous to staff

**Dry to dry in 1 hour**

Smart chemicals and processes mean garments are fully dried in the dryer - no hang-dry

| Main specifications | | | | WH6-27LAC |
|--|--------------------------|-------|--|---------------|
| Rated capacity, Laundry | filling factor 1:9 | kg | | 27 |
| | Wool filling factor 1:13 | kg | | 19 |
| | Silk filling factor 1:18 | kg | | 14 |
| Drum, volume | | litre | | 240 |
| | diameter | ø mm | | 795 |
| Extraction | | rpm | | 1005 |
| G-factor | | | | 450 |
| Heating alternative | electricity | kW | | 23.0 |
| Consumption data "lagoon" | | | | |
| Total time | Wool High | min | | 25 |
| | Wool Medium | min | | 25 |
| | Silk | min | | 18 |
| | Synth. mix Medium | min | | 26 |
| | Synth. mix Low | min | | 21 |
| | Curtains | min | | 25 |
| Water consumption (cold+hot) | Wool High | litre | | 137 |
| | Wool Medium | litre | | 112 |
| | Silk | litre | | 98 |
| | Synth. mix Medium | litre | | 119 |
| | Synth. mix Low | litre | | 98 |
| | Curtains | litre | | 141 |
| Energy consumption (motor/heating/water) | Wool High | kWh | | 0.7/1.25 |
| | Wool Medium | kWh | | 0.7/1.05 |
| | Silk | kWh | | 0.6/0.7 |
| | Synth. mix Medium | kWh | | 0.6/1.4 |
| | Synth. mix Low | kWh | | 0.6/1.15 |
| | Curtains | kWh | | 0.7/1.0 |
| Consumption data ECO 60 1:9* | | | | |
| Total time | | min | | 65 |
| Water consumption (cold+hot) | | litre | | 161+10 |
| Energy consumption (motor/heating/hot water) | | kWh | | 0.55/3.2/0.55 |
| Residual moisture | | % | | 45 |

* Water temperature 15°C cold water and 65°C hot water.

| Main specifications | | | | TD6-30LAC | | |
|--|----------------------|------------|--|----------------|-------|-------|
| Rated capacity, Drying | filling factor 1:18 | kg | | 30.5 | | |
| | | | | | | |
| Drum, volume | | litre | | 550 | | |
| | diameter | ø mm | | 913 | | |
| Heating alternative | electricity | kW | | 32.0 | | |
| | gas | BTU/h (kW) | | 11 2700 (33.0) | | |
| | steam at 600-700 kPa | | | 36.0 | | |
| Consumption data "lagoon" | | | | El | Gas | Steam |
| Total time | Wool High* | min | | 22 | 23 | 22 |
| | Wool Medium* | min | | 20 | 21 | 20 |
| | Synthetic mix** | min | | 13 | 14 | 13 |
| Consumption data*** | | | | | | |
| Total time | | min | | 23 | 24 | 23 |
| Energy consumption (motor/heating/hot water) | | kWh | | 12.19 | 13.27 | 15.24 |
| Evaporation | | g/min | | 543 | 512 | 550 |
| Energy/Water evaporation | | kWh/l | | 0.98 | 1.06 | 1.22 |

* 1:30 load 100% wool load at 30% initial moisture dried to 0%.

** 1:40 load 100% synthetic load at 20% initial moisture dried to 0%.

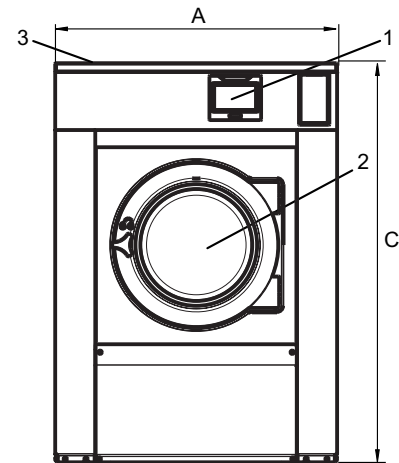
*** At rated capacity 100% cotton load at 50% initial moisture dried to 0%.

| Electrical connections | | | | | |
|------------------------|-----------------------|-------|------------------|----------------|--------------------|
| Heating alternative | Main voltage | | Heating power kW | Total power kW | Recommended fuse A |
| | | Hz | | | |
| Electric heated | 220-230V 3 ~ | 50/60 | 19.1 | 20.2 | 63 |
| | 220-240V 3 ~ | 50/60 | 19.8/23.0 | 20.9/24.1 | 63/63 |
| | 380-400V 3N ~ | 50/60 | 19.1 | 20.2 | 32 |
| | 380-415V 3N ~ | 50/60 | 19.8/23.0 | 20.6/24.1 | 32/50 |
| Steam or Non heated | 220-415V 1/1N ~ 50/60 | | * | 1.3 | 10 |

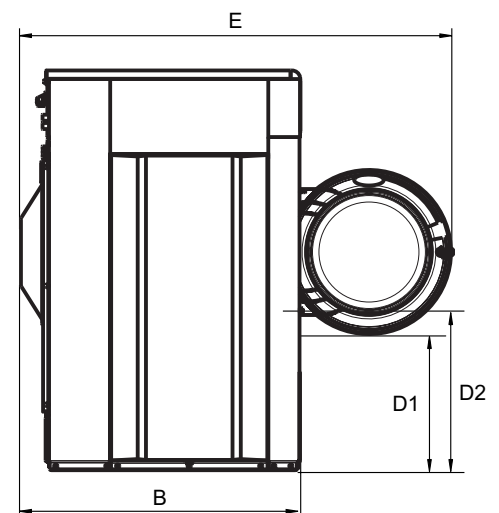
* Total power and recommended fuse does not depend on the heating power in those cases.

** Prepared for 3 ~.

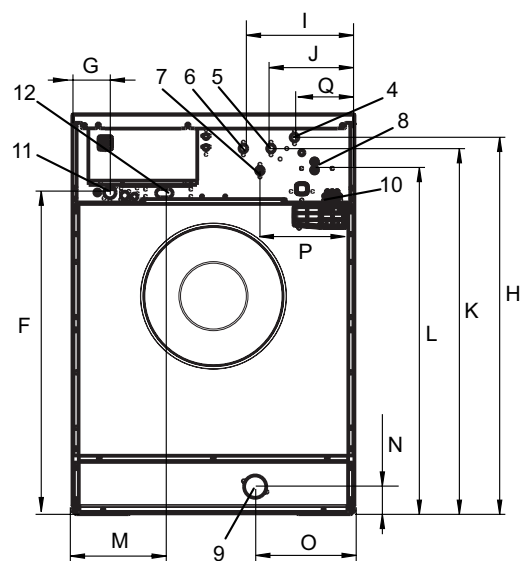
| Water and steam connection | | WH6-27LAC |
|---|--|-----------|
| Water valves | DN | 20 |
| Water pressure | kPa | 200-600 |
| Capacity at 300 kPa | l/min | 60 |
| Drain valve | ø mm | 75 |
| Draining capacity | l/min | 170 |
| Steam valve | DN | 15 |
| Steam pressure | kPa | 300-600 |
| Liquid detergent supplies | | 5 |
| Floor requirements | | |
| Frequency of the dynamic force | Hz | 16.8 |
| Floor load at max extraction | kN | 5.2 ± 1.0 |
| Sound levels | | |
| Sound power/pressure level at extraction* | dB(A) | 83/68 |
| Sound power/pressure level at wash* | dB(A) | 64/48 |
| Heat emission | | |
| % of installed power, max | | 5 |
| Shipping data** | | |
| Weight | net, kg | 425 |
| Shipping volume | m ³ | 1.82 |
| Accessories | | |
| Steel base | | x |
| Hose kits for water or steam | | x |
| Fluff collector | | x |
| Dimensions in mm | | |
| A | Width | 1020 |
| B | Depth | 990 |
| C | Height | 1460 |
| D1 | | 490 |
| D2 | | 555 |
| E | | 1555 |
| F | | 1165 |
| G | | 135 |
| H | | 1365 |
| I | | 400 |
| J | | 300 |
| K | | 1325 |
| L | | 1245 |
| M | | 335 |
| N | | 100 |
| O | | 360 |
| P | | 340 |
| Q | | 215 |
| 1 | Display | 7 |
| 2 | Door opening ø 435 mm | 8 |
| 3 | Detergent box | 9 |
| 4 | Cold/Hot water (Detergent box) | 10 |
| 5 | Cold water | 11 |
| 6 | Hot water | 12 |
| 7 | Cold/Hot water or Re-used water with network pressure (option) | |
| 8 | Re-used water from tank/pump or Liquid detergent supply | |
| 9 | Drain | |
| 10 | Liquid detergent supply | |
| 11 | Electrical connection | |
| 12 | Steam connection | |



Front



Side view



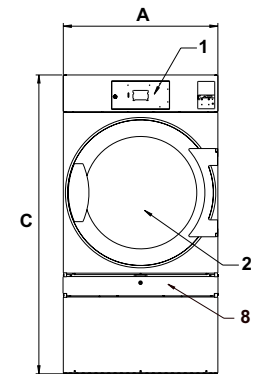
Rear

* Sound power levels measured according to ISO 60704.

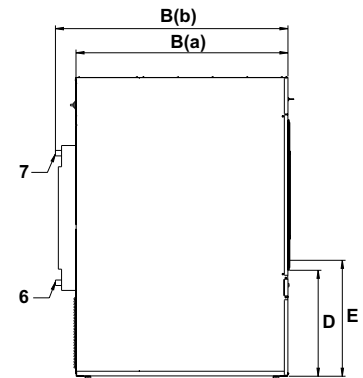
** Average data. Crated weight/shipping volume depends on configuration. Please contact logistics for exact measures.

| Electrical connections | | | | | |
|-----------------------------|-----------------|-------|------------------|----------------|--------------------|
| Heating alternative | Main voltage | | Heating power kW | Total power kW | Recommended fuse A |
| | | Hz | | | |
| Electric heated | 220-230V 3 ~ | 50/60 | 18.0/24.0/32.0 | 19.5/25.5/33.5 | 50/80/100 |
| | 240V 3 ~ | 50/60 | 18.0/24.0/32.0 | 19.5/25.5/33.5 | 50/63/100 |
| | 380-415V 3N/3 ~ | 50/60 | 18.0/24.0/32.0 | 19.5/25.5/33.5 | 35/50/50 |
| | 440V 3 ~ | 60 | 24.0/32.0 | 26.7/34.7 | 35/50 |
| | 480V 3 ~ | 60 | 24.0/32.0 | 26.7/34.7 | 35/50 |
| Gas heated/ Steam heated | 220-240V 1/1N ~ | 50/60 | - | 1.8 | 10 |
| | 220-480V 3/3N ~ | 50/60 | - | 1.5 | 10 |

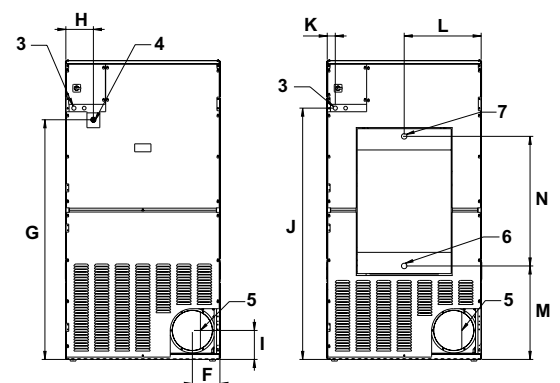
* Total power and recommended fuse does not depend on the heating power in those cases.



Front



Left side



El, gas

Steam

Rear side

| Steam, gas and air connections | | TD6-30LAC | |
|---|------------------------|-------------------|-------------|
| Steam | ISO 7/1-R | 1" | |
| Steam pressure | kPa | 100-1000 | |
| Steam consumption | kg/h | 65 | |
| Condensate | ISO 7/1-R | 1" | |
| Gas | NG/PG | ISO 7/1-R | |
| Gas pressure | Natural gas | Pa | 2000 |
| | | mbar | 20 |
| | | Pa | 2800-3700 |
| | Propane | mbar | 28-37 |
| Air outlet | ø mm | 200 | |
| Maximum air flow: | | | |
| | Electric 50 Hz / 60 Hz | m ³ /h | 940 / 940 |
| | Gas 50 Hz / 60 Hz | m ³ /h | 940 / 940 |
| | Steam 50 Hz / 60 Hz | m ³ /h | 1080 / 1080 |
| Maximum static back pressure: | | | |
| | Electric 50 Hz / 60 Hz | Pa | 480 / 950 |
| | Gas 50 Hz / 60 Hz | Pa | 420 / 900 |
| | Steam 50 Hz / 60 Hz | Pa | 1300 / 1550 |
| Sound levels | | | |
| Sound power/pressure level at drying* | | dB(A) | 74/57 |
| Heat emission | | | |
| % of installed power, max | | 15 | |
| Shipping data** | | | |
| Shipping volume | net, kg | 280 | |
| | crated, m ³ | 2.80 | |
| Dimensions in mm | | | |
| A | Width | 960 | |
| B(a) | Depth | 1365 | |
| B(b) | Depth | 1445 | |
| C | Height | 1855 | |
| D | | 660 | |
| E | | 720 | |
| F | | 170 | |
| G | | 1490 | |
| H | | 200 | |
| I | | 180 | |
| J | | 1560 | |
| K | | 50 | |
| L | | 480 | |
| M | | 580 | |
| N | | 805 | |
| 1 Control panel 2 Door opening ø 810 mm 3 Electrical connection 4 Gas connection 5 Exhaust connection 6 Condensate connection 7 Steam connection 8 Lint screen | | | |

* Sound power levels measured according to ISO 60704.

** Average data. Crated weight/shipping volume depends on configuration. Please contact logistics for exact measures.



| Jetsave PNCs | Description |
|--------------|---------------------------------------|
| 988930001 | Complete kit with 2 pumps, 550 ml/min |
| 988930002 | Complete kit with 3 pumps, 550 ml/min |
| 988930003 | Complete kit with 4 pumps, 550 ml/min |
| 988930004 | Complete kit with 5 pumps, 550 ml/min |

| Accessories PNCs | Description |
|------------------|---|
| 988916611 | Single low level probe |
| 432930071 | Extension POWER cable (6m) |
| 432930072 | Extension DATA cable (6m) |
| 988930031 | ID interface for 3rd part party peristaltic pumps or option for Low level alarm |
| 432930065 | Joining kit |

| Power supply |
|--|
| From the washer extractor: 100-240V- 50/60 Hz / 0.1A (Max) |

| Water supply |
|--------------|
| Min. 1.8 bar |
| Max. 6 bar |

| Electrolux Professional name and description | Packaging 20 litres | Packaging 10 litres |
|---|---------------------|---------------------|
| W01 - lagoon Sensitive Detergent Professional detergent for natural/animal fiber | 432731085 | 432731086 |
| W03 - lagoon Sensitive Conditioner Professional conditioner for natural/animal fiber | 432731087 | 432731088 |
| W02 - lagoon Delicate Detergent Professional delicate universal detergent | 432731089 | 432731090 |

For further information including spotting agents, please refer to the lagoon detergent Product Data Sheet



BASE; closed front and sides

Suitable for models: WH6-27LAC
988918971
Height: 230 mm
Material: Galvanised, silver grey painted steel
with stainless steel front panel.

BASE; "floating foundation"

Suitable for models: WH6-27LAC
988918972
Material: Galvanised, silver grey painted steel with
stainless steel front panel.
Feature: A "floating foundation" filled with
concrete eliminates noise to other parts
of the building.